

MONITOR **LOCATE** ALERT

System Hardware & Specifications

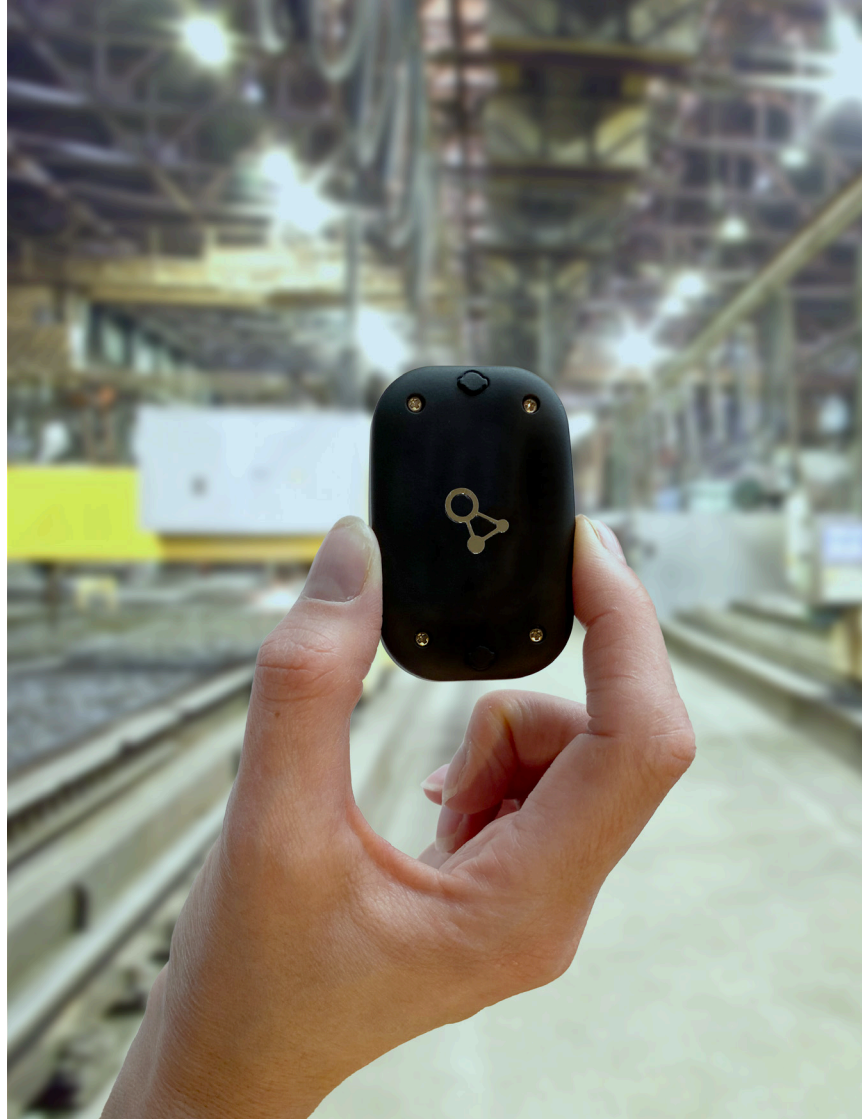


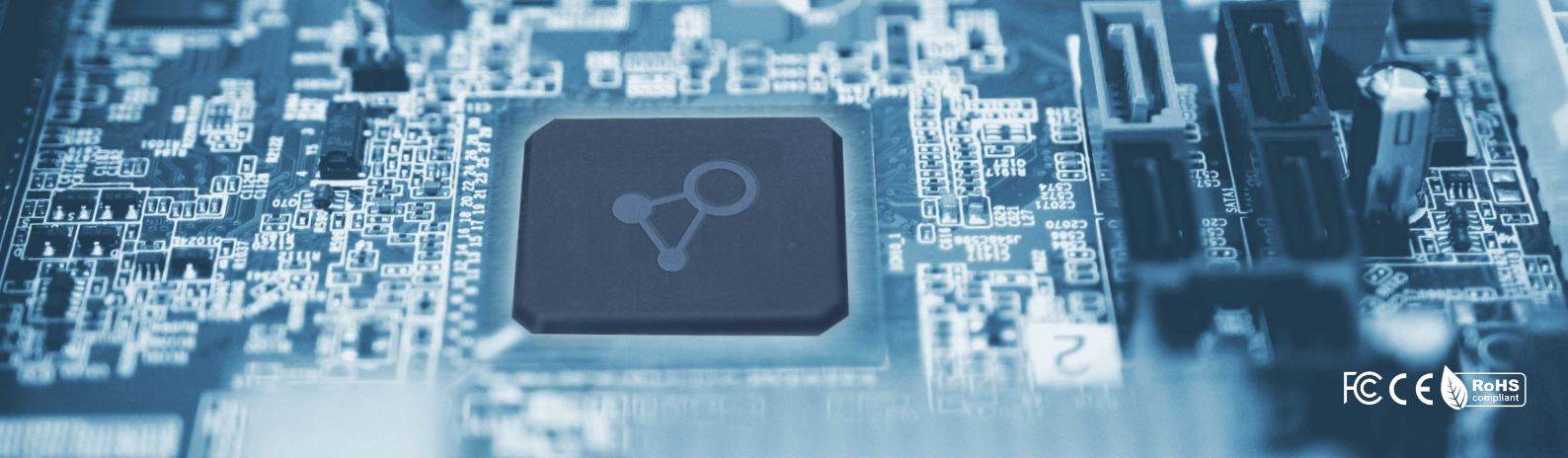
IOTTAG AUSTRALIA

Website: www.iottag.com.au

Email: sales@iottag.com.au

Phone: 1300 66 22 80





Expert Engineering

Custom Hardware ✓

Cloud Service ✓

Software Engineering ✓

Mobile Application Engineering ✓

Firmware Engineering ✓

Compliancing: Ensures stability and reliability of hardware in the field.

User Testing: Meets Australian standards for accessibility and usability. Dedicated UI/UX specialists ensure that our software is a delight to use.

Quality First: Our development team based in Melbourne designs, builds and tests our system and works on new features for our customers.

We believe in security from the ground up. All architectural and programming decisions have been made with data security in mind. We safeguard all customer data using industry best practices.

Mobile Applications: We offer mobile apps for both Android and iOS. We aim to deliver autonomous tracking solutions. Once

personnel install the app they don't need to touch it again!

Web Application: Our administration interface allows oversight of all asset locations and data. As well as system configuration and management. We unify all data streams to prevent siloed data and offer a single pane of glass to see all asset data.

Cloud Server: Powering our mobile and web applications, the cloud server is the engine room for ATLAS. The cloud receives, processes, secures and stores all asset data. Cloud based architecture allows us to roll out new features and enhancements to customers instantly.

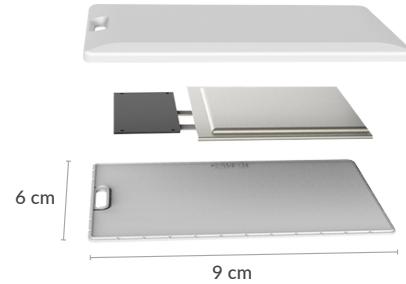
RESTful API: Available for integration with third party applications.

Mobile SDK: To embed ATLAS service within existing mobile apps.



- ✓ **Low Maintenance**
Powered by Lithium polymer battery, unlocks 2+ years lifespan.
- ✓ **Ease of Adoption**
Convenient standard Credit Card size allows easy adoption by workforce.
- ✓ **Waterproof**
Laser sealed case offers maximum UV and Water resistance.
- ✓ **Long Range**
Range configurable, long range ready.

ID2 Card Tag



Affixing:	3M tape, lanyard
Battery Model:	Lithium polymer 3.7v
Operation Voltage:	1.8-3.9V
Weight:	18g
Size:	90 x 60 x 4 mm
Connection:	Gateway, Altas App

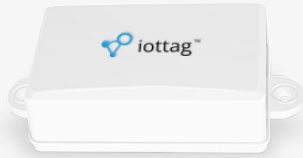


- ✓ **Ultra Long Battery Life**
Commercial and industrial grade, leveraging on board battery conservation algorithm.
- ✓ **No Boundaries**
Smart multi-connect with various devices at ultra-long range.
- ✓ **Motion Analytics**
On-board sensors record time in motion to deliver utilisation metrics.
- ✓ **Compliance Alerts**
Vector will alert you unprotected, by detecting if no app is present whilst moving in the field.

V7 Vector Tag

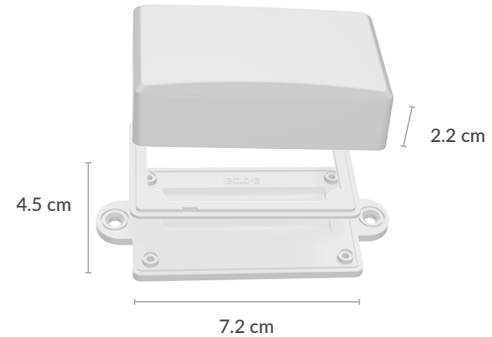


Battery:	CR2450
IP Rating:	IP65 / UV Resistance
Chipset:	Nordic BLE 5.0
Range:	Up to 1.2 km
Water Proof:	IPX7
Feedback:	LED / Speaker 90dB
Accelerometer:	3-axis data collection



- ✓ **Ultra Long Battery Life**
Tough beacon is powered by 2x AA batteries, with up to 5 years lifespan.
- ✓ **Rugged Enclosure**
Weather resistance case designed for harsh environments.
- ✓ **Location Anchor**
Highly accurate indoor location references provide by simple battery operated anchors.
- ✓ **Industrial Strength**
Rated IP65 / UV Resistant.

T3 Tough Tag



- Battery: AA (not incl.)
- Range: Up to 250m
- Features: Beacon / Location Anchor
- Weight: 39g (with batteries)
- Dimensions: 72 x 45 x 22 mm
- Accessories: 3M adhesive, Screws



Low Profile

Designed for use-cases that require the lowest profile TAG and discreet form factor.



Rugged Design

Plastic welded to ensure highest possible IP, rated 66.



Customisable Firmware

Multiple firmware packages available for versatile logic handling.



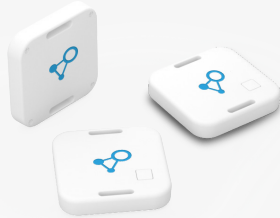
Versatile

Affix via 3M tape for discreet tracking, multi-adapter plate also available.

S3 Slim Tag



- Colour: Black / Grey
- Chipset: Nordic nrf51822
- Certificate: CE/FCC/ROHS/MFI
- Battery: CR2016 (non-replaceable)
- Range: Up to 150m
- Size: 40.3 x 23.9 x 2.6 mm
- Lifespan: Configurable up to 3yrs



- ✓ **Long Battery Life**
Powered by long life CR2450, replaceable coin cell battery.
- ✓ **Weather resistant case**
Rated at IP65, resists outdoor environments, water and dust.
- ✓ **Custom Firmware**
Custom firmware design unlocks powerful system features and gold standard security.
- ✓ **Long Range**
Proprietary design gains up to 250 meters omni directional range.

A18 Universal Tag



Technology:	BLE 5.0
Range:	Up to 200m
IP Rating:	IP67
Security:	256 bit
Battery Model:	CR2450 (replaceable)
Net Weight:	19.0g
Size:	43 × 43 × 8 mm
Accelerometer:	3-axis data collection



- ✓ **Medical Grade**
Anti bacterial band for management of hygiene and health.
- ✓ **Easy Attachment**
Clip lock band for ease and efficiency in patient attachment.
- ✓ **Capability**
Monitor, locate and timely alerts via Atlas portal.
- ✓ **Versatile**
Interchangeable hardware to support retrofitting onto 3rd party bands.

P1 Band Tag

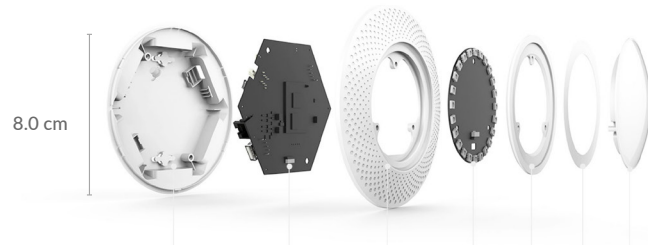


- Fitting: Clip / lockable
- Technology: Bluetooth® 5.0 chipset
- Band: One size fits all
- Battery: CR2032 (Replaceable)
- Range: Up to 100m
- Size: 35.9x11mm
- Net Weight: 12.0g



- ✓ **Remote Configuration**
Easy deploy and configure via Atlas mobile application.
- ✓ **Gold Standard Security**
Encrypted handshake protocol to secure data in transit.
- ✓ **Self Calibrating**
Multiple data and power sources options available, promotes easy integration.
- ✓ **Real-time Tracking**
Rapid monitor mode tracks as frequently as ten times per second.

IS1 Gateway



- Weight: 180g
- Colour: White
- Power Supply: 5V 1A DC power adapter or 02.3af PoE
- Platform: Atlas Portal
- Installation: Ceiling, Wall, Enclosure
- WIFI protocol: IEEE 802.11 b/g//n
- WIFI power: 18dBm
- WIFI rate: 300 Mbps



- ✓ Mesh Network**
Self-configuring connection at long range for fast, easy deployment.
- ✓ Gold Standard Security**
Encrypted handshake protocol to secure data in transit.
- ✓ Low Maintenance**
Battery operated low energy devices excel in longevity, delivering low maintenance benefits.
- ✓ High Accuracy**
Proximity and triangulated positioning for high accuracy, when required.

IS3 Gateway



Size:	100mm x 30mm
Weight:	180g
Environment:	Indoor / Outdoor
Power Supply:	Battery / Mains Power / POE
Platform:	Atlas Portal
Installation:	Ceiling, Wall, Enclosure
WIFI protocol:	IEEE 802.11 b/g//n
WIFI power:	18dBm
WIFI rate:	300 Mbps



✓ Plug & Track

A next-generation, affordable, plug-and-play BLE gateway that will help you accelerate the adoption of indoor IoT and location use-cases through infrastructure simplification.

✓ Versatile Integration

Supporting multi platform output including EMQTT, AWS, ALI, and custom configurations.

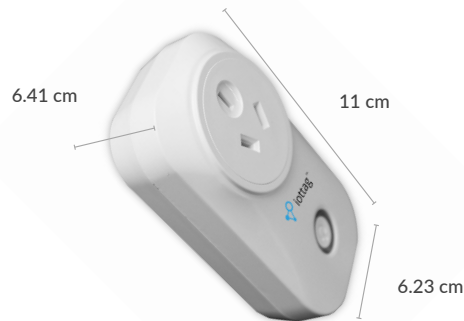
✓ Create Ultra-Large Zones

Scanning range for BLE can reach up to 250m in line of sight.

✓ Simplified Deployment

No extra installation equipment needed. Easily deploy indoor, outdoor and underground.

IS2 Gateway



Button:	On / Off / Reset
Range:	300m
Technology:	BLE&WiFi
Input/Output voltage:	90V-240VAC
Plug type:	US/UK/EU/AU/FR
Size:	110 x 62.3 x 64.1 mm
Encryption protocol:	TLS V1.2

GPS TAG



- ✓ Advanced Power Modes**
The longest lasting battery for wearable device on the market, with up to 28 days standby.
- ✓ Track & Monitor**
Remote monitoring, real-time location updates and timely alerts, creates reliable layers of security.
- ✓ Geo-Fence Alerts**
Create virtual fences and receive alerts on entry and exit of defined zones.
- ✓ Duress Button**
Feel safe with an Australian certified medical and personal alarm.

Seek GPS



Band:	International Ready
Chipset:	GPS / Cellular
Aus Certified:	CE/FCC/ROHS
Accessories:	Lanyard, Wrist Band, Clip
GPS Accuracy:	Sub 5m
Size:	61 x 43 x 1.6 mm
Weight:	40g

GPS TAG



- ✓ **Rechargeable battery**
 High capacity 10,000mAh Li-ion rechargeable battery, up to 5 years lifespan.
- ✓ **Magnetic Affixing**
 Secure fit designed for commercial and industrial applications.
- ✓ **Harsh Environments Ready**
 Water and dust resistant housing to ensure reliable operation in any environment.
- ✓ **Tamper Alarm**
 Gain instant alerts if tamper switch is depressed, due to removal from your asset.

Atlas 6 GPS



Powerful Range:	GPS ceramic antenna
Location accuracy:	<5 m
Battery:	10000mAh/3.7V lithium polymer
Dimensions:	108.5 x 61 x 30 mm
Weight:	286g
Connection:	WCDMA/GSM
Operating temperature:	-20°C ~ +70°C